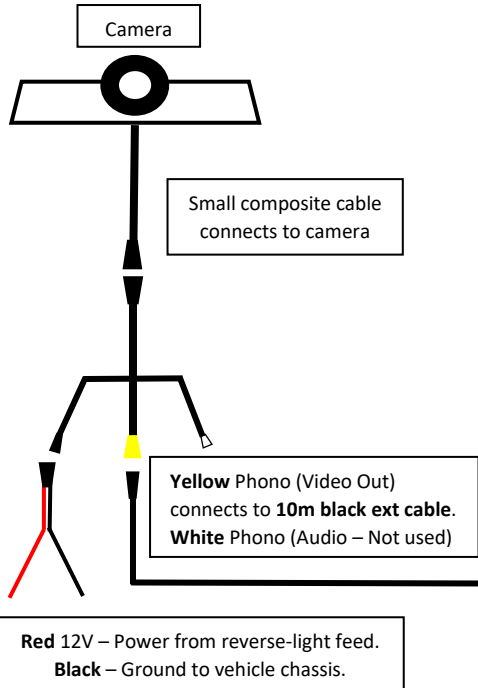
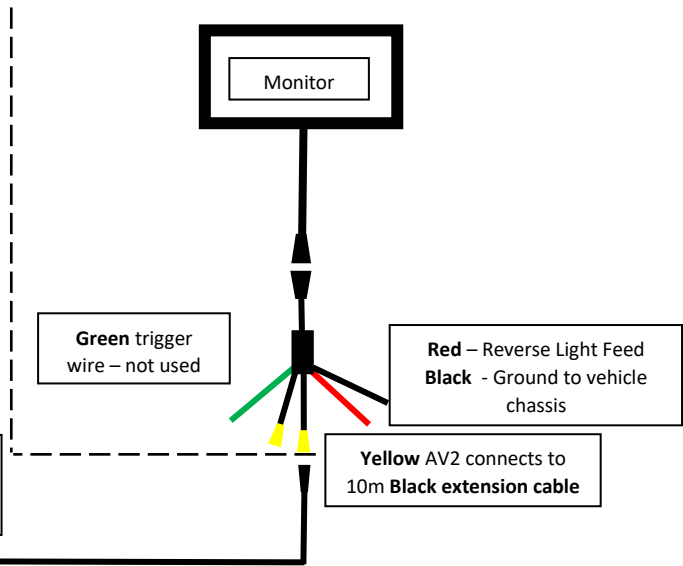


VW CRAFTER (2007 – 2015)

CONNECTING THE CAMERA



CONNECTING THE MONITOR



INSTRUCTIONS

- Connect the RED 12v cable to Reverse Light Feed.
- Connect BLACK ground cable to vehicle chassis.
- Connect YELLOW phono video out to BLACK 10m extension cable.
- Where the monitor has more than one AV connection – connect to AV2 (N/A for smaller monitors).
- Connect monitor RED cable to Reverse Light Feed and BLACK to ground / chassis.
- The optional GREEN trigger wire will not need to be used in this version of installation.
- Monitor should be in the OFF position and will come on automatically when reverse is engaged.

SPECIFICATIONS

Sensor:	CMOS 7070
Resolution:	P/N: 648 x 488
TV Line:	420 TV line
Lens:	1.7mm
Min Illumination:	0Lux (LED ON)
IR LED:	6pcs
Night Vision Distance:	35ft
Waterproof:	IP68
View Angle:	170°
Power Voltage:	12V
Operation Temp:	-20°C ~ +70°C

IN THE BOX



WARRANTY AND SUPPORT

This product comes with a 12 month warranty against defects in material and workmanship. This does not apply if, in our judgement, the product fails due to damage from an accident, abuse, misuse or if it has been modified.

This product has been designed for DIY installation. Dolphin Automotive takes no responsibility for any damage caused to vehicles from installation.

*Please note these products are designed as an aid to help you manoeuvre and are not a substitute for using your mirrors.

Dolphin Automotive is a Trademark of Trading Direct Ltd.

Unit 2, Francis Place, The Green, Pirbright, Woking, GU24 0JU T: 01483 522 225 W: dolphin-automotive.co.uk